

Order no.: REF-30208732

Platform with step ladder



Specification

Business division MUNK Günzburger Steigtechnik	Sector Industrial systems	Type mobile	Height fixed
--	-------------------------------------	-----------------------	------------------------

Facts

- Decking: Grooved aluminium
- Total height (H): 2,523 mm
- Platform length (PFL): 850 mm
- Platform width (PFB): 850 mm
- Platform height (PFH) top edge: 1,408 mm
- Stepladder SB: 600 mm
- Clear width of safety door: 660 mm
- Projection (stepladder retracted): approx. 1,161 mm
- Total load: 200 kg
- Step load: 150 kg

Description

Client's Request and Task

In the modern industry, where safety and ergonomics at the workplace are of utmost priority, our goal was to create a product solution that meets our client's requirements for safe and ergonomic access to maintenance areas on machines. The challenge was to design a platform that not only increases efficiency and safety during maintenance work but is also absolutely compliant with standards and comfortable for the employees to operate.

Customer requirements

- Enhancing safety during maintenance work on industrial machines
- Enabling ergonomic and safe working conditions for the staff

- Development of a stable, reliable, and standards-compliant work platform

Our Solution

Platform with Integrated Ladder

We present a platform with an innovatively designed step ladder that is extendable and securely lockable, providing users with a flexible and stable access solution.

Flexible and Safe

The step ladder can be adjusted in a precisely manufactured guide rail and securely fixed with locking pins in both working and resting positions. In the extended state, it also serves as a support structure, thereby increasing safety.

Precise Connection

A carefully designed connection to the client's machine ensures smooth integration. The guide rail, equipped with an internal guide carriage, allows the platform to be moved approximately 640 mm to the left and right.

Locking and Support Wheels

The platform is locked using a practical spring bolt. Two robust support wheels under the platform ensure stability and easy maneuverability.

Comprehensive Protection

A permanently installed railing with a diameter of 50 mm, equipped with foot and knee ledges, provides additional protection. Access to the platform is enhanced by a safety door (SI door), ensuring safe entry and exit.

Technical Specifications

The platform, with its ribbed aluminum surface, provides optimal footing, a total height of 2523 mm, and a platform size of 850 mm in both length and width. The working height of the platform is 1408 mm above the ground. The step ladder has a width of 600 mm, and the safety

door a clear width of 660 mm. In the retracted state, the step ladder protrudes approximately 1161 mm. The platform can bear a total load of 200 kg, while each step is designed for a load of up to 150 kg.

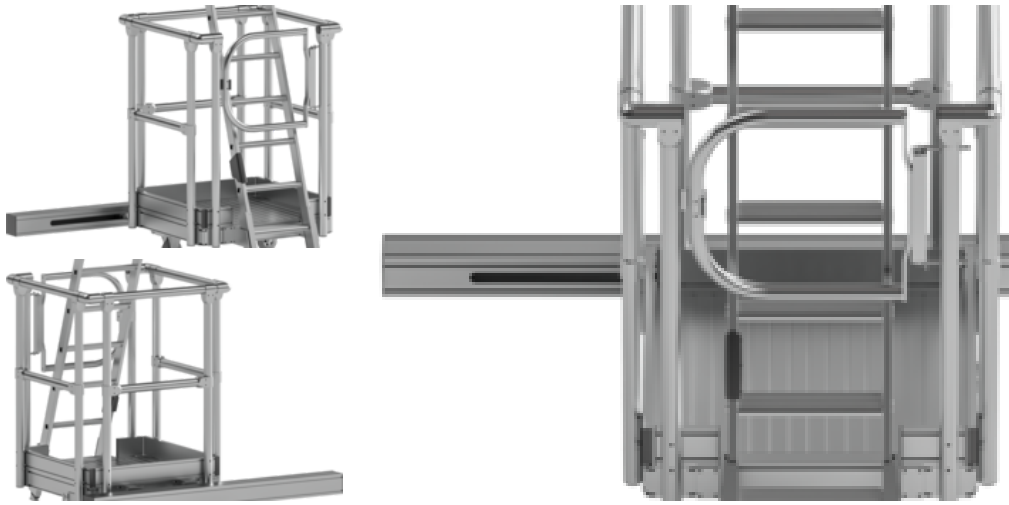
Conclusion

This custom-designed platform with step ladder stands as our commitment to revolutionizing occupational safety and ergonomics in the industrial sector. It embodies an intelligent combination of functionality and safety, surpassing all expectations of a standards-compliant work environment. Our solution enables employees to work efficiently, comfortably, and most importantly, safely, setting a new standard in the industry.

Information on sustainability criteria

- Corporate certification: ISO 9001
- Corporate certification: ISO 14001
- Corporate certification: EN 1090
- Corporate certification: EcoVadis
- RoHS
- REACH
- The MUNK Group complies with a Code of Conduct
- The Supply Chain Act does not apply due to our size
- The materials used are listed in the technical specification
- Resource-saving production: own photovoltaic systems
- Energy-efficient consumption during production: LED lighting
- Repairability, durability and quality: 15-year warranty on series products made in Germany
- Recyclability: Our products are mostly made of aluminium, steel or wood and can be fed directly into the recycling process.
- Socially acceptable working conditions in production: fair wages, gender equality
- Economical and recyclable packaging: no use of polystyrene, predominantly use of wood and cardboard, small amounts of plastic
- No health hazards for the users

More product pictures



Added value

Trust in us as your competent partner in the field of individual access equipment solutions. We are industry leaders from analysis to conception and design to first-class after-sales service.

★ Analysis

We set standards in the evaluation of access equipment requirements. Our experts take sufficient time to understand your specific needs. After a thorough analysis, we will present you with a tailor-made design that is perfectly tailored to your individual circumstances. Rely on us to identify your challenges and solve them in an innovative way.

★ Concept

We are leaders in the planning of special designs. With creativity, technical know-how and a deep understanding of access equipment, we develop pioneering concepts. Our experienced team designs outstanding solutions that meet the highest safety standards and maximise your efficiency and ergonomics. Let yourself be impressed by our competence and innovative strength.

★ Design

We set the bar high in design. Our engineers and production planners have unique specialist knowledge and many years of experience in the field of access equipment. With the latest technologies and high-quality materials we realise your concept down to the smallest detail. Precision and quality are the first priority – for your special designs that meet the highest demands.

★ Production

In our modern production halls at our headquarters in Günzburg, we can implement your planning and wishes professionally and efficiently. Our specialists in access equipment, electronics and mechanics always have only one thing in mind: Quality that delivers what it promises. That's why every design, whether

From decades of experience, we know that individual requirements require special solutions. That's why we are here to help you realize your custom construction.

Get inspired by our reference products and make your unique idea a success. We look forward to supporting your project with our expertise and dedication. Contact our competent team for more information and assistance.

With MUNK Group by your side, your custom construction becomes a reality: Safety. Made in Germany.

What we offer

- On-site consultation and project planning
- Custom development according to your requirements
- Precision manufacturing
- Functional and cost-effective access solutions
- Maximum workplace safety
- Fast delivery
- Compliance with all relevant German, English, and international standards and regulations, such as BetrSichV, DGUV regulations, Machinery Directive 2006/42/EC

[OPEN CONTACT FORM](#)



large or small, is manufactured with the highest quality and precision and thoroughly tested before shipment.

★ **After sales**

Our commitment does not end with the completion of the special design. We are unbeatable in after-sales service. With assembly, maintenance, testing and repairs, we ensure that your special design always remains in perfect condition. Our reliable team provides you with superior customer service and ensures that your satisfaction is first and foremost.



Corporate certifications

on sustainability criteria



Management System
ISO 9001:2015
ISO 14001:2015
www.tuv.com
ID 9108612548

