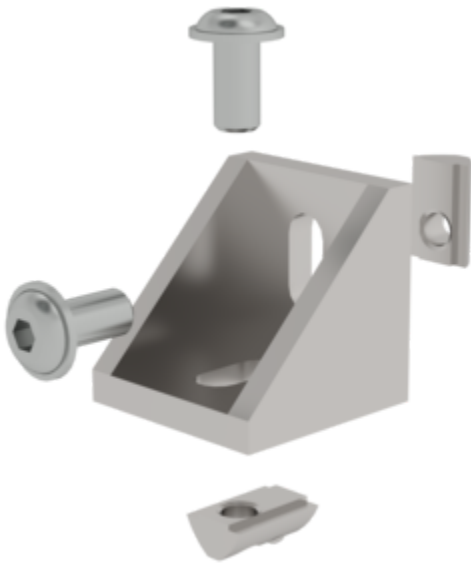


Order no.: 930206

Corner bracket with mounting material



Specification

Connection type Angle connection	Material Die-cast	Groove size 8 mm	Dimension A 40 mm	Dimension B 40 mm
Dimension C 40 mm	Dimension D 5 mm	Order no. 930206		

Facts

- Profile angle for profile 40
- For joining profiles to each other
- Particularly suitable for retrofitting profiles
- Incl. mounting material

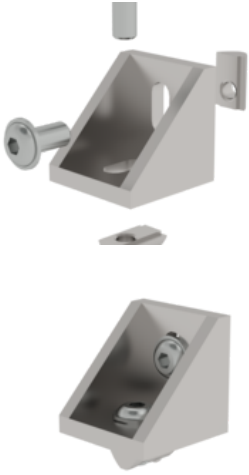
Description

The corner bracket is a special profile angle that is particularly suited to joining profiles to each other. Thanks to its design, it is also very easy to retrofit. The mounting material is included with the corner brackets, making the brackets immediately ready for use.

Scope of supply

- Corner bracket: 1 x
- Pan head screw: 2 x
- Slot nut: 2 x

More product pictures



Corporate certifications

on sustainability criteria



Management System
ISO 9001:2015
ISO 14001:2015
www.tuv.com
ID 9108612548

