

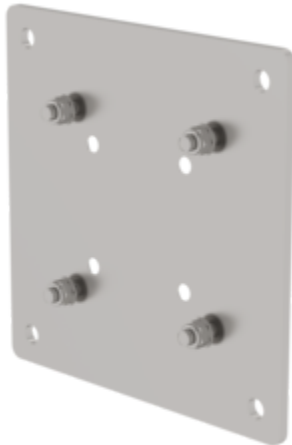
Order no.: 060948

Adapter plate

Material

Stainless steel

Hot-galvanised



Specification

Material Stainless steel	Weight 5.76 kg	Transport dimensions 300 x 300 x 35 mm, 5.76 kg	Business division MUNK Günzburger Steigtechnik	Order no. 060948
Price € 250.00				

Facts

- The adapter plate is required for brick masonry to enlarge the wall plug distance and the screwing surface
- Suitable for wall anchor and spacer segment with 150 mm hole pattern
- L x W x H 300 x 300 x 8 mm, 5.7 kg

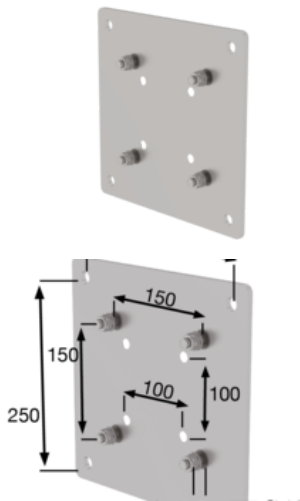
Scope of supply

- Adapter plate : 1 x
- Installation material: 1 x
- Assembly instructions: 1 x

Information on sustainability criteria

- Corporate certification: ISO 9001
- Corporate certification: ISO 14001
- Corporate certification: EN 1090
- Corporate certification: EcoVadis
- RoHS
- REACH
- The MUNK Group complies with a Code of Conduct
- The Supply Chain Act does not apply due to our size
- The materials used are listed in the technical specification
- Resource-saving production: own photovoltaic systems
- Energy-efficient consumption during production: LED lighting
- Repairability, durability and quality: 15-year warranty on series products made in Germany
- Recyclability: Our products are mostly made of aluminium, steel or wood and can be fed directly into the recycling process.
- Socially acceptable working conditions in production: fair wages, gender equality
- Economical and recyclable packaging: no use of polystyrene, predominantly use of wood and cardboard, small amounts of plastic
- No health hazards for the users

More product pictures



Added value

Optimum planning

- Practical planning aids (available as [Downloads](#)) with tips for correct planning of vertical ladder systems
- Planning in close coordination with the client as well as the place and purpose of use
- Joint project planning



All [fixed ladders / vertical ladders](#) at a glance:

- [Single-flight vertical ladders](#) in accordance with DIN 18799-1/-3, DIN 14094-1 and DIN EN ISO 14122-4 (depending on the choice of standard and the situation on site at the exit, additional components such as exit steps, railings and safety doors may be required)
- DIN 18799-1: Stationary multiple-flight vertical ladders [on buildings](#)
- DIN 14094-1: Multiple-flight [emergency ladder systems \(emergency ladders\)](#).
- DIN EN ISO 14122-4: Stationary multiple-flight vertical ladders [on machinery](#)

Corporate certifications

on sustainability criteria



Management System
ISO 9001:2015
ISO 14001:2015
www.tuv.com
ID 9108612548

